

AN INITIATIVE
OF ONLINE EDUCATION
BY
LITTLE STAR HIGH SCHOOL BALLY

SUBJECT :PHYSICS
CLASS: 12

FACULTY

ABHISHEK PAUL(BTECH ,MTECH(NANO PHYSICS) , PHD(PUR)

(DEPT OF PHYSICS,LITTLE STAR HIGH SCHOOL BALLY)

PHYSICS

CURRENT ELECTRICITY-1

ABHISHEK SIR(PHYSICS, LITTLE STAR HIGH SCHOOL BALLY)

CURRENT ELECTRICITY - I

1. **Electric Current**
2. **Conventional Current**
3. **Drift Velocity of electrons and current**
4. **Current Density**
5. **Ohm's Law**
6. **Resistance, Resistivity, Conductance & Conductivity**
7. **Temperature dependence of resistance**
8. **Colour Codes for Carbon Resistors**
9. **Series and Parallel combination of resistors**
10. **EMF and Potential Difference of a cell**
11. **Internal Resistance of a cell**
12. **Series and Parallel combination of cells**

Electric Current:

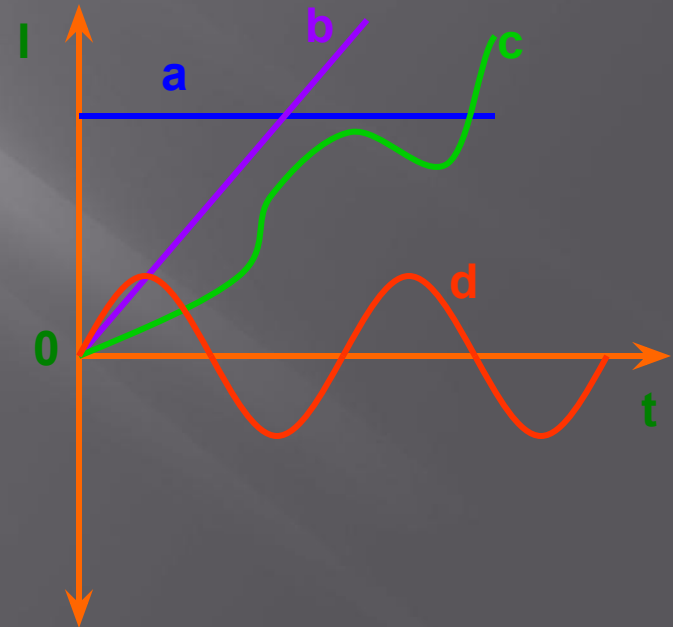
The electric current is defined as the charge flowing through any section of the conductor in one second.

$$I = q / t \quad (\text{if the rate of flow of charge is steady})$$

$$I = dq / dt \quad (\text{if the rate of flow of charge varies with time})$$

Different types of current:

- a) **Steady current which does not vary with time**
- b) & c) **Varying current whose magnitude varies with time**
- d) **Alternating current whose magnitude varies continuously and direction changes periodically**



Conventional Current:

Conventional current is the current whose direction is along the direction of the motion of positive charge under the action of electric field.

Conventional current due to motion of electrons is in the direction opposite to that of motion of electrons.

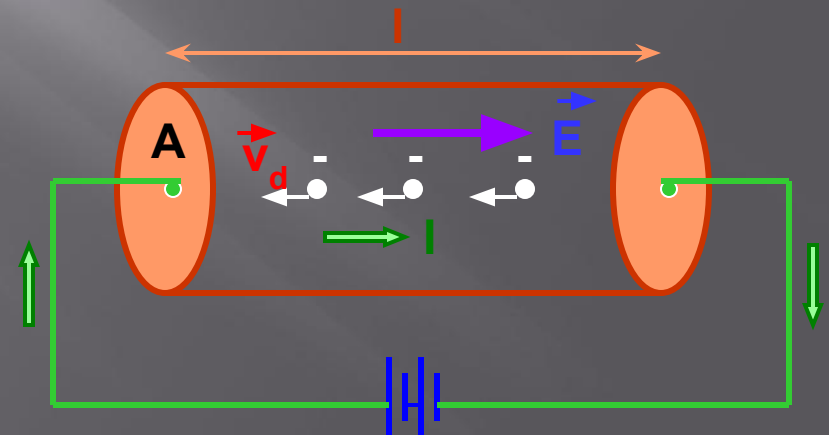
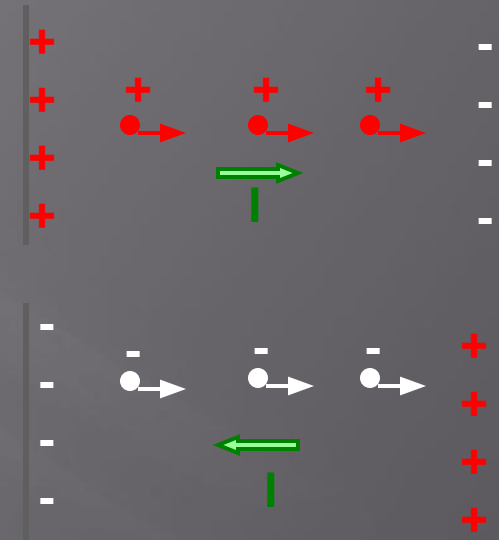
Drift Velocity and Current:

Drift velocity is defined as the velocity with which the free electrons get drifted towards the positive terminal under the effect of the applied electric field.

$$\vec{v}_d = \vec{a} \tau \quad \vec{v}_d = - (eE / m) \tau \quad I = neA \vec{v}_d$$

Current is directly proportional to drift velocity.

\vec{v}_d - drift velocity, \vec{a} - acceleration, τ - relaxation time, E - electric field, e - electronic charge, m - mass of electron, n - number density of electrons, l - length of the conductor and A - Area of cross-section



Current density:

Current density at a point, within a conductor, is the current through a unit area of the conductor, around that point, provided the area is perpendicular to the direction of flow of current at that point.

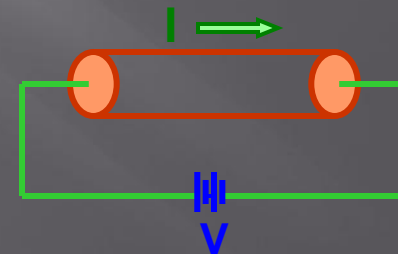
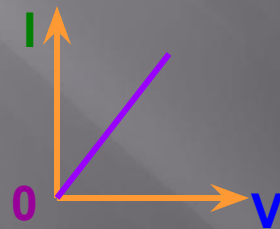
$$J = I / A = nev_d$$

In vector form, $I = \vec{J} \cdot \vec{A}$

Ohm's Law:

The electric current flowing through a conductor is directly proportional to the potential difference across the two ends of the conductor when physical conditions such as temperature, mechanical strain, etc. remain the same.

$$I \propto V \quad \text{or} \quad V \propto I \quad \text{or} \quad V = RI$$



Resistance:

The resistance of conductor is the opposition offered by the conductor to the flow of electric current through it.

$$R = V / I$$

Resistance in terms of physical features of the conductor:

$$I = neA |\vec{v}_d|$$

$$I = neA (e |\vec{E}| / m) \tau$$

$$I = \frac{ne^2 A \tau}{m} \frac{V}{l}$$

$$\frac{V}{l} = \frac{mI}{ne^2 A \tau}$$

$$R = \frac{m}{ne^2 \tau} \frac{l}{A}$$

$$R = \rho \frac{l}{A}$$

$$\text{where } \rho = \frac{m}{ne^2 \tau}$$

is resistivity or
specific resistance

Resistance is directly proportional to length and inversely proportional to cross-sectional area of the conductor and depends on nature of material.

Resistivity depends upon nature of material and **not** on the geometrical dimensions of the conductor.

Relations between v_d , ρ , I , E , J and V :

$$\rho = E / J = E / nev_d \quad (\text{since, } J = I / A = nev_d)$$

$$v_d = E / (ne\rho)$$

$$v_d = V / (nepl) \quad (\text{since, } E = V / l)$$

When temperature increases, v_d decreases and ρ increases.

When I increases, v_d decreases.

Conductance and conductivity:

Conductance is the reciprocal of resistance. Its S.I unit is **mho**.

Conductivity is the reciprocal of resistivity. Its S.I unit is **mho / m**.

Temperature dependence of Resistances:

$$R = \frac{m}{ne^2\tau} \frac{l}{A}$$

When temperature increases, the no. of collisions increases due to more internal energy and relaxation time decreases. Therefore, Resistance increases.

Temperature coefficient of Resistance:

$$\alpha = \frac{R_1 - R_0}{R_0 t} \quad \text{or} \quad \alpha = \frac{R_2 - R_1}{R_1 t_2 - R_2 t_1}$$

R_0 – Resistance at 0°C

R_t – Resistance at $t^\circ\text{C}$

R_1 – Resistance at $t_1^\circ\text{C}$

R_2 – Resistance at $t_2^\circ\text{C}$

If $R_2 < R_1$, then α is – ve.

Colour code for carbon resistors:

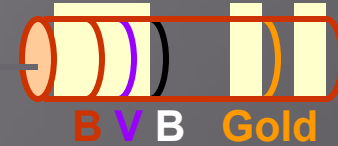
The first two rings from the end give the first two significant figures of resistance in ohm.

The third ring indicates the decimal multiplier.

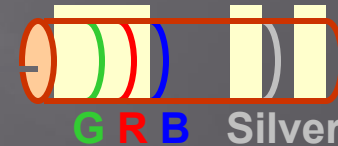
The last ring indicates the tolerance in per cent about the indicated value.

Eg. $AB \times 10^C \pm D \% \text{ ohm}$

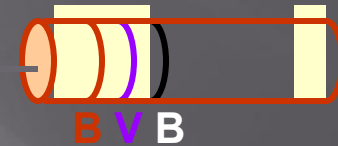
Letter	Colour	Number	Colour	Tolerance
B	Black	0	Gold	5%
B	Brown	1	Silver	10%
R	Red	2	No colour	20%
O	Orange	3		
Y	Yellow	4		
G	Green	5		
B	Blue	6		
V	Violet	7		
G	Grey	8		
W	White	9		



$$17 \times 10^0 = 17 \pm 5\% \Omega$$



$$52 \times 10^6 \pm 10\% \Omega$$



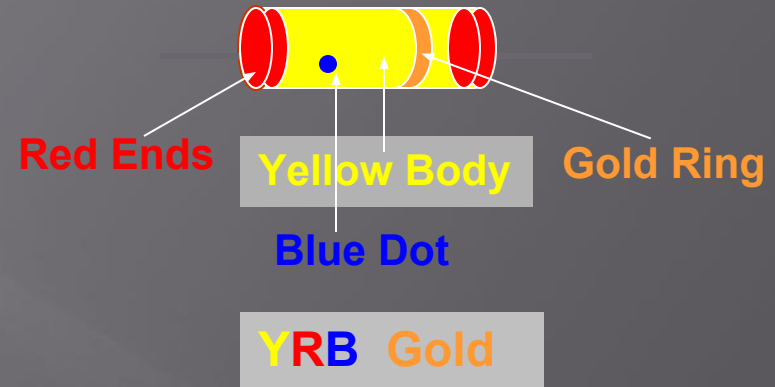
$$17 \times 10^0 = 17 \pm 20\% \Omega$$

B B ROY of Great Britain has Very Good Wife

ABHISHEK SIR(PHYSICS, LITTLE STAR HIGH SCHOOL BALLY)

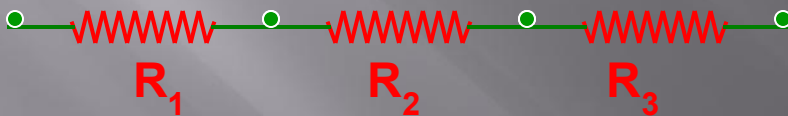
Another Colour code for carbon resistors:

- i) The colour of the body gives the first significant figure.
- ii) The colour of the ends gives the second significant figure.
- iii) The colour of the dot gives the decimal multiplier.
- iv) The colour of the ring gives the tolerance.



$$42 \times 10^6 \pm 5\% \Omega$$

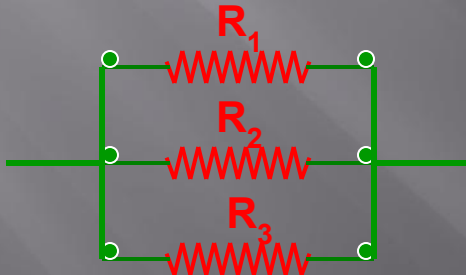
Series combination of resistors:



$$R = R_1 + R_2 + R_3$$

R is greater than the greatest of all.

Parallel combination of resistors:



$$1/R = 1/R_1 + 1/R_2 + 1/R_3$$

R is smaller than the smallest of all.

Sources of emf:

The electro motive force is the maximum potential difference between the two electrodes of the cell when no current is drawn from the cell.

Comparison of EMF and P.D:

	EMF	Potential Difference
1	EMF is the maximum potential difference between the two electrodes of the cell when no current is drawn from the cell i.e. when the circuit is open.	P.D is the difference of potentials between any two points in a closed circuit.
2	It is independent of the resistance of the circuit.	It is proportional to the resistance between the given points.
3	The term 'emf' is used only for the source of emf.	It is measured between any two points of the circuit.
4	It is greater than the potential difference between any two points in a circuit.	However, p.d. is greater than emf when the cell is being charged.

Internal Resistance of a cell:

The opposition offered by the electrolyte of the cell to the flow of electric current through it is called the internal resistance of the cell.

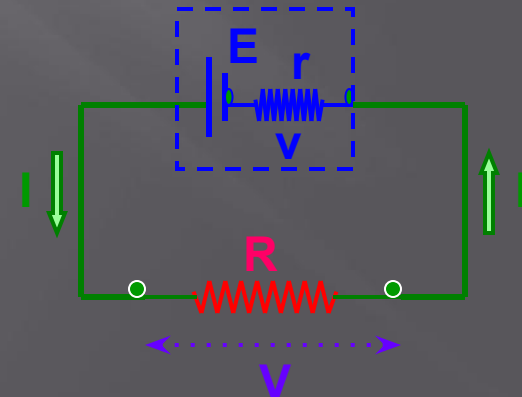
Factors affecting Internal Resistance of a cell:

- i) Larger the separation between the electrodes of the cell, more the length of the electrolyte through which current has to flow and consequently a higher value of internal resistance.
- ii) Greater the conductivity of the electrolyte, lesser is the internal resistance of the cell. i.e. internal resistance depends on the nature of the electrolyte.
- iii) The internal resistance of a cell is inversely proportional to the common area of the electrodes dipping in the electrolyte.
- iv) The internal resistance of a cell depends on the nature of the electrodes.

$$\begin{aligned} E &= V + v \\ &= IR + Ir \\ &= I(R + r) \end{aligned}$$

$$I = E / (R + r)$$

This relation is called **circuit equation**.



Internal Resistance of a cell in terms of E,V and R:

$$E = V + v$$

$$= V + Ir$$

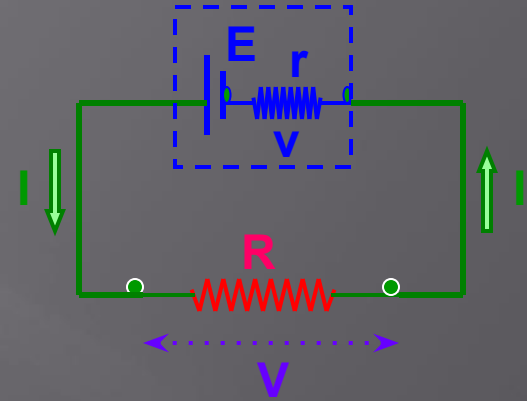
$$Ir = E - V$$

Dividing by $IR = V$,

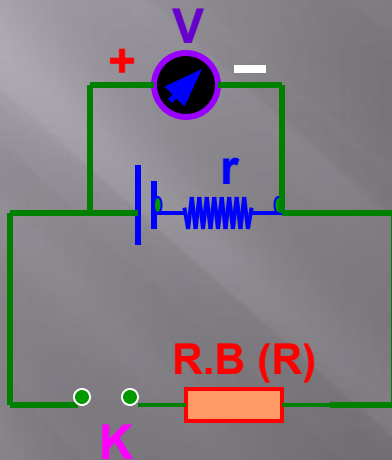
$$\frac{Ir}{IR} = \frac{E - V}{V}$$



$$r = \left(\frac{E}{V} - 1 \right) R$$

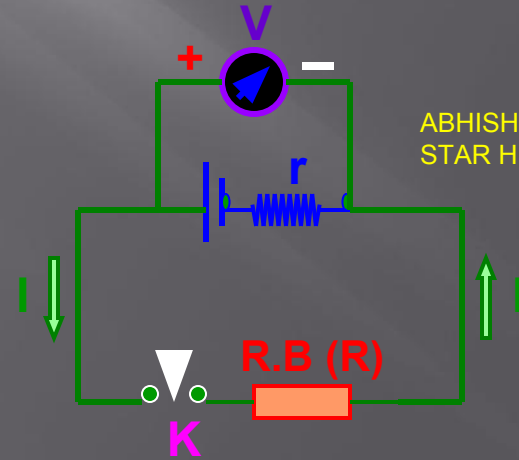


Determination of Internal Resistance of a cell by voltmeter method:



Open circuit (No current is drawn)

EMF (E) is measured



Closed circuit (Current is drawn)

Potential Difference (V) is measured

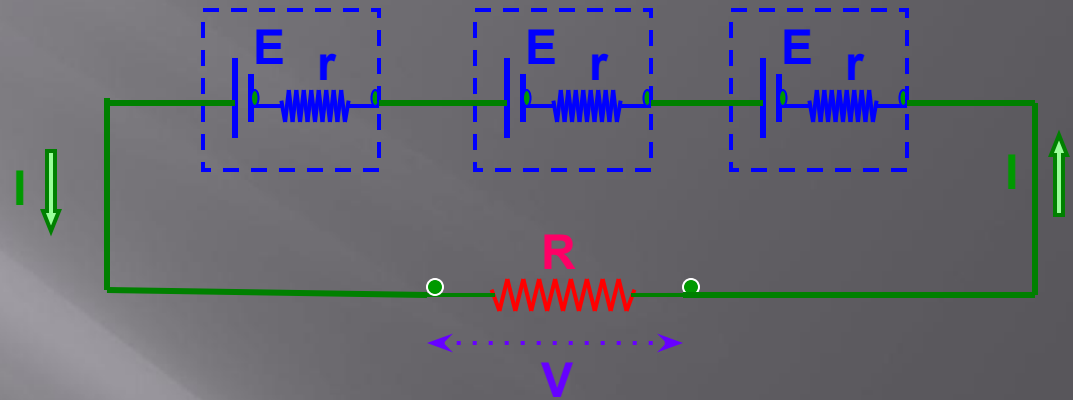
ABHISHEK SIR(PHYSICS, LITTLE STAR HIGH SCHOOL BALLY)

Cells in Series combination:

Cells are connected in series when they are joined end to end so that the same quantity of electricity must flow through each cell.

NOTE:

1. The emf of the battery is the sum of the individual emfs
2. The current in each cell is the same and is identical with the current in the entire arrangement.
3. The total internal resistance of the battery is the sum of the individual internal resistances.



Total emf of the battery = nE (for n no. of identical cells)

Total Internal resistance of the battery = nr

Total resistance of the circuit = $nr + R$

$$\text{Current } I = \frac{nE}{nr + R}$$

(i) If $R \ll nr$, then $I = E / r$ (ii) If $nr \ll R$, then $I = n (E / R)$

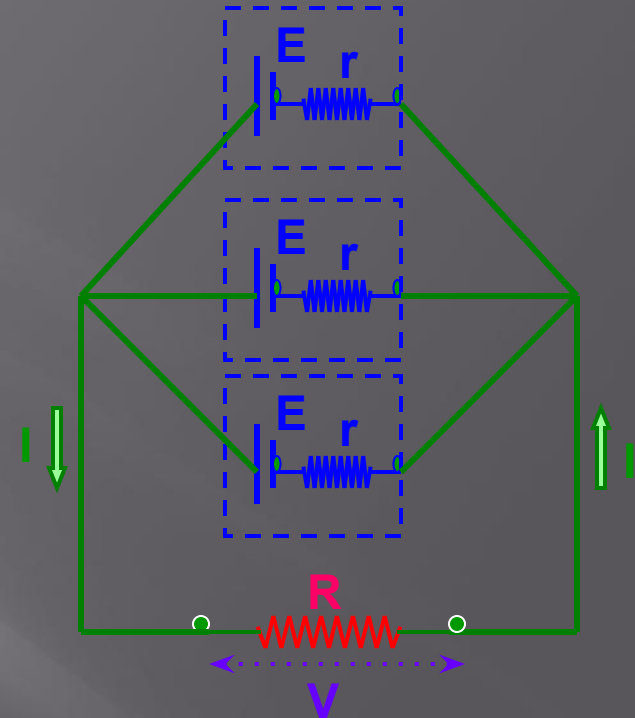
Conclusion: When internal resistance is negligible in comparison to the external resistance, then the cells are connected in series to get maximum current.

Cells in Parallel combination:

Cells are said to be connected in parallel when they are joined positive to positive and negative to negative such that current is divided between the cells.

NOTE:

1. The emf of the battery is the same as that of a single cell.
2. The current in the external circuit is divided equally among the cells.
3. The reciprocal of the total internal resistance is the sum of the reciprocals of the individual internal resistances.



Total emf of the battery = E

Total Internal resistance of the battery = r / n

Total resistance of the circuit = $(r / n) + R$

$$\text{Current } I = \frac{nE}{nR + r}$$

(i) If $R \ll r/n$, then $I = n(E / r)$ (ii) If $r/n \ll R$, then $I = E / R$

Conclusion: When external resistance is negligible in comparison to the internal resistance, then the cells are connected in parallel to get maximum current.

END